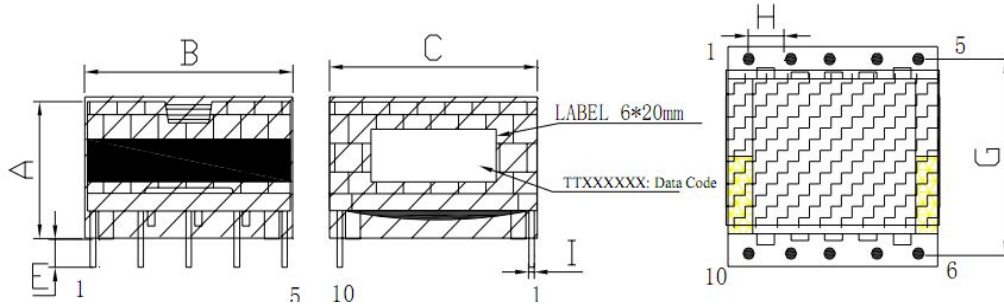


|                   |      |               |
|-------------------|------|---------------|
| CUSTOMER TERMINAL | ROHS | Lead(Pb)-free |
|                   | YES  | YES           |

## 1. Mechanical Dimensions

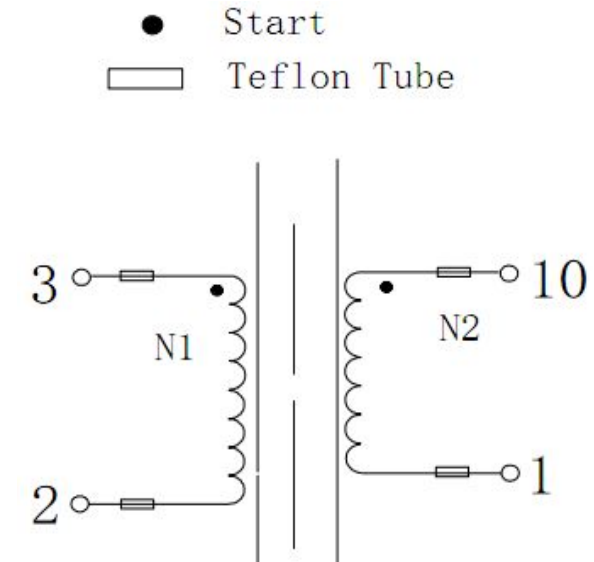


|   |      |      |
|---|------|------|
| A | 14.3 | MAX  |
| B | 26.8 | MAX  |
| C | 26.8 | MAX  |
| E | 3.5  | ±0.5 |
| G | 22.5 | ±0.4 |
| H | 5.0  | ±0.3 |
| I | 0.7  | ±0.1 |

## 3. Material List

Core:FW44 EFD25/25/9  
 Bobbin:FWB2506(5+5PIN)  
 Wire:2UEW  
 Operating Temperature: -30 to115 °C

## 2. Schematic Diagram



## 4. Electrical Specification

Inductance :  $L(3-2):550\mu H \pm 5\%$  50KHZ , 1.0V  
 DCR :  $(3-2)=0.72\Omega$  MAX  $(10-1)=1.63m\Omega$  MAX  
 Hi-Pot:N1-N2-CORE: AC 60Hz 1000V 1mA 3S

|             |       |  |      |                |          |                    |                           |
|-------------|-------|--|------|----------------|----------|--------------------|---------------------------|
| REV.        | DATE  | <br>Convention Placement                             | DRW. | Drawing Title: | Part No: |                    |                           |
| 0           | 00/00 |  | CHK. |                |          | <b>TRANSFORMER</b> | FWPTEFD25H551J            |
|             |       |  | APP. |                |          | Customer P/N       | Specification Sheet 1of 1 |
| <b>ROHS</b> |       | <a href="http://www.ferriwo.com">www.ferriwo.com</a> |      |                |          |                    |                           |